

WATER PROJECT FUNDS READY
TO FLOW - ALMOST
PAGE 1

MESSAGE FROM THE PRESIDENT
PAGE 2

2015 BASURA BASH SAVE THE DATE
PAGE 3

10TH ANNUAL STUDENT SCHOLARSHIP
DINNER AND FUNDRAISER
PAGE 4

TAWWA/WEAT PROJECT MANAGEMENT
SEMINAR
PAGE 5

EDUCATION ANNOUNCEMENT -
FALL 2014
PAGE 9

SPONSORS FOR 2014
SCHOLARSHIP DINNER
PAGE 10

LOCAL CONTACTS
PAGE 13

MEETINGS AND EVENTS
PAGE 14

TAWWA/WEAT

NOVEMBER/DECEMBER 2014

ISSUE 100

SOUTH TEXAS CHAPTER

e-newsletter



WATER PROJECT FUNDS READY TO FLOW - ALMOST

by Neena Satja | The Texas Tribune | texastribune.org | November 6, 2014



Lake Travis, a major water supply reservoir for Austin, is severely depleted due to drought. The State Water Plan calls for dozens more such reservoir projects to be built in the coming decades to meet Texas' future water needs.

TAWWA/WEAT JANUARY MEETING

Date: Thursday, January 15, 2015
Place: San Antonio Water System
Tower II, 1st Floor, Room C145
2800 US Hwy 281 N
Speaker: Karen Bishop, SARA
Topic: To be announced

TAWWA/WEAT PROJECT MANAGEMENT SEMINAR

Date: Friday, February 17, 2014
Place: San Antonio Water System
Topics: To Be Announced

EDITOR:
Rikki Anderson (rikki.anderson@freese.com)

GRAPHIC DESIGNER:
Vicky Frenkel (FrenkelV@bv.com)

Texas is ready to start handing out \$2 billion for new water projects, four months ahead of schedule and more than a year after drought-conscious voters overwhelmingly **approved** using excess oil and gas tax revenue for water development.

Well, almost ready. Anyone eligible for the money — including cities, towns, and nonprofit public utilities — can now apply for it, state officials said Thursday. It will probably be another year before the money actually flows into those coffers.

“Today is a historic day for the citizens of Texas and for the future of our state’s water supplies,” said Carlos Rubinstein, chairman of the Texas Water Development Board, the agency that acts as Texas’ water infrastructure bank and is handling the \$2 billion.

(continued on page 2)

His announcement was a victory for the agency and lawmakers who had **tried** for years without success to fund the behemoth \$53 billion State Water Plan, a list of water supply projects needed across the state. The near-unprecedented drought that still persists in much of the southwest presented an opportunity to tap the state's Rainy Day Fund with voter approval.

“Today is a historic day for the citizens of Texas and for the future of our state's water supplies.”

The water board already lends money for water projects across Texas, but this cash infusion will help make deals even sweeter through interest subsidies or options to defer loan payments. About \$150 million could be used in the coming year, Rubinstein said, to support \$800 million in loans. The agency expects to boost those numbers in each of the next 10 years.

Those wanting a piece of the first round will have to apply by Feb. 3, 2015, but can submit “abridged” applications for expediency's sake. In spring, the board will rank applications using criteria developed over the past year, including how many people will be served by proposed water projects. Later, everyone making the cut will submit full applications, and the money may be ready to go next fall.

Rubinstein has earned praise for his work at the agency, which came under unprecedented **scrutiny** since its leadership was overhauled during the 2013 legislative session. Now, he'll be watched closely as the board selects which projects to fund first. Some of the money will be reserved for rural-area projects and conservation, which has been a **challenge** to define.

And money is only one piece of the solution for Texas' grave water challenges. The State Water Plan the board promises to fund contains **contradictions** and projects that appear unlikely, or could take decades longer than anticipated. And communities seeking new water supplies face everything from a messy **groundwater** regulation scheme to a water rights system that many say is **outdated**.

“The State Water Plan the board promises to fund contains contradictions and projects that appear unlikely, or could take decades longer than anticipated.”

“This is a tremendous opportunity, but it also allows us to learn,” Rubinstein said. “We'll also be looking at, why can't your project be funding today? What regulatory hurdle is keeping you from moving it forward?” ●

Original article can be found at: <http://www.texastribune.org/2014/11/06/water-project-funds-ready-flow-almost/>

MESSAGE FROM THE PRESIDENT

In this the final newsletter of 2014, the AWWA and WEAT officers wish to thank you, the members, for another successful year in our joint chapters. We have received unprecedented support for our joint initiatives. Without this support we would not be able to provide the scholarships, community assistance, networking, professional training and educational assistance that we've been engaged in over this last year and throughout our history.

As a new service for members, this coming February, we will have a project management seminar, where members who participate will receive both professional development hours to maintain their engineering licenses and project management professional educational credits for their PMP certifications. (See page 5 for more details.)

There are some other changes to be aware of. We are lowering our monthly meeting fee for public employees who RSVP for the meetings to just \$5.00. Also, our joint newsletter will now be produced on a quarterly basis. Changes at the State TAWWA level will now allow carrier over funding to be invested to provide future funds for scholarships.

Just recently, we celebrated with our new scholarship recipients at our annual scholarship dinner. We were able to raise about \$10,000 for next year's scholarships through sponsorships and raffle sells. Notably, our three platinum sponsors included MGC Contractors, Arcadis and Environmental Improvements, Inc. The dinner was highlighted by San Antonio Water System's CEO and keynote speaker Robert Puente. Also of note that evening was the enthusiastic appreciation by the keynote speaker and attendees for Kelly Neumann and her many years of dedicated service to SAWS. Jeff Haby, also with SAWS, received the Distinguished Member Award for his efforts in founding the joint chapters and his continued service since. The spirit of the holiday season was also prominent as hundreds of toys were collected for needy San Antonio toddlers.

Happy Holidays to you and your family as we celebrate this joyous season and the beginning of a new year.

Rob Jenkins

President AWWA- South Texas Chapter

BASURA BASH

TAWWA/WEAT SAN ANTONIO CHAPTER



Saturday, February 21, 2015
8:00 - 11:30 a.m.

Location: Olmos Basin Park

To sign up,
email Rikki Anderson
at Rikki.Anderson@freese.com

save the date



A|E|C
www.hdrinc.com



Forward Thinking

- Wastewater
- Water Planning
- Industrial
- Reuse
- Water Conservation
- Construction Management
- Pipeline Rehabilitation/Replacement

Offices nationwide
San Antonio | 210.841.2800

Kimley-Horn and Associates, Inc.
www.kimley-horn.com

PAPE-DAWSON ENGINEERS

San Antonio / Austin / Houston / Ft. Worth / Dallas
www.pape-dawson.com

WATER & WASTEWATER TREATMENT • COLLECTION & PUMPING SYSTEMS
WATER TRANSMISSION & DISTRIBUTION • ENVIRONMENTAL SERVICES • UTILITIES COORDINATION

WESTERN SUMMIT
alex.kocher@westernsummit.com
phone: 817.337.5281 X 3305
fax: 817.337.5289

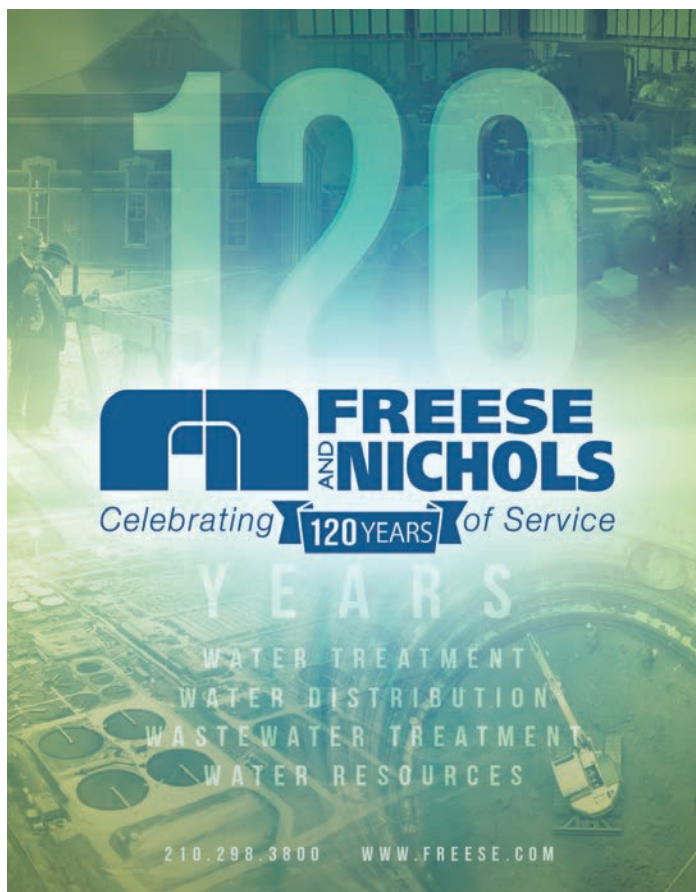
WESTERN SUMMIT CONSTRUCTORS, INC.
www.westernsummit.com **THE WATER & WASTEWATER CONSTRUCTION SPECIALISTS**

10TH ANNUAL STUDENT SCHOLARSHIP DINNER AND FUNDRAISER

TAWWA/WEAT's 10th Annual Scholarship Dinner and Fundraiser was held on November 20th at the Old San Francisco Steak House. We would like to give a special thanks to our Keynote Speaker, Robert Puente, as well as special congratulations to Jeff Haby, who was selected as this year's



Distinguished Member. By sponsoring and attending this event, our local AWWA and WEAT Chapters were able to raise funds for more scholarships in the future. We were also able to collect toys for needy San Antonio kids through the Toys for Tots program.



CONGRATULATIONS TO THIS YEAR'S AWWA AND WEAT SCHOLARSHIP RECIPIENTS:

AWWA Recipients:

- Brittany Vorheis – St. Mary's University
- Elizabeth Emmons – Abilene Christian University
- Miguel Sanchez – Northwest Vista College
- Carolyn Perez – Texas A&M University, CS
- Dylan Swoboda (State Recipient) – Texas A&M University, CS

WEAT Recipients:

- Rachel Turner – Southern Methodist University
- Iris Ozuna – University of Texas at San Antonio
- James Scardami – Howard Payne University
- Adam Hamed – University of Texas at San Antonio
- William Castro – University of Texas at San Antonio

CH2MHILL®

World class experience—local presence

Around the world and close to home, CH2M HILL employees provide the full spectrum of consulting, design, design-build, operations, and program management services that support your project goals and improve quality of life.



ch2mhill.com

SAVE THE DATE!

TAWWA/WEAT

Project Management Seminar

February 27, 2015

8:00 am – 4:00 pm

SAWS Tower II, Room C-145

Cost is \$20 with lunch and snacks provided

Registration info and topics to follow

Join us for the first TAWWA/WEAT Project Management Seminar!

We will feature presentations and topics consistent with the knowledge areas and processes outlined in the current *Guide to the Project Management Body of Knowledge (PMBOK)* and provide PEs with PDHs and Project Management Professionals (PMPs) with PDUs.

Do you have a presentation idea that ties project management to a water/wastewater design or construction project? What about an idea for a project discussion panel or a general project management presentation? We are looking for presentation and panel discussions that are 1 to 1.5 hours in length and have enough content to meet the PMP training guidelines. If you are interested in presenting, please send an outline of your presentation to Amy Middleton at amiddleton@sara-tx.org by Friday, January 16th.





QUALITY · PERFORMANCE · VALUE

**Specializing in Water and Wastewater
Construction for Over 35 Years**



MGC Contractors, Inc. 223 Lucinda Drive New Braunfels, TX 78130
210.694.0565 mgccontractors.com

Celebrating 20 years of service to San Antonio



2014 ACEC TX Engineering Excellence Gold Award
SAWS Dos Rios WRC Tertiary Filters Project

FULL-SERVICE CONSULTING

- Water & Wastewater**
- Electrical / SCADA**
- Environmental**
- Modeling**
- Structural**



PARTNERS FOR A BETTER QUALITY OF LIFE
Austin · Corpus Christi · Dallas · Fort Worth · Houston
McKinney · Round Rock · San Antonio

TAWWA/WEAT South Texas Chapter now on Facebook!

The South Texas Chapter of TAWWA and San Antonio Section of WEAT are now on Facebook!

Please go to the link below and "Like" South Texas Water Professionals to be connected and stay informed about upcoming events and activities.



visit us at

www.facebook.com/SouthTexasWaterProfessional

**MAKING
BLEACH
MADE
EASY**

- Safest OSHG Design
- Low Cost, High Quality Hypochlorite
- Vertical V-Ray Cell Design
- Multi Cell Configuration
- Immediate/Passive Hydrogen Removal
- No Hydrogen Containment
- Small Footprint
- Low Maintenance
- 24 Hour Service Provided

MICROCLOR

YOUR BEST DISINFECTION OPTION: ON-SITE SODIUM HYPOCHLORITE GENERATION

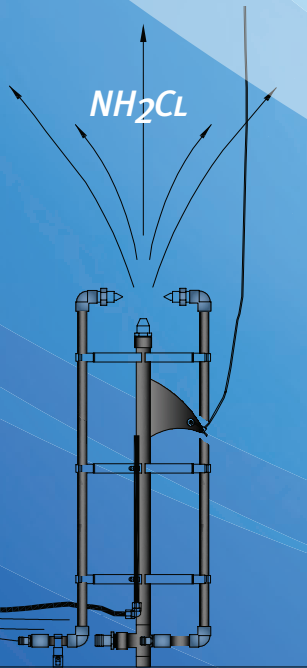


MC-300, 300 pounds per day

psi
process solutions, inc.

Tank Shark

THE ORIGINAL MONOCHLORAMINE GENERATOR AND TANK MIXING SYSTEM



TANK SHARK ELIMINATES:

- Thermal Stratification
- Freezing
- Nitrification
- Inconsistent Residual
- Taste & Odor Issues
- Pumps within the Reservoir
- Electrical within the Reservoir
- Tank Penetrations
- Moving Parts
- Downtime

psi
process solutions, inc.

Toll Free: (888) 774 4536 (PSI HELP)
Tel: (408) 370 6540 | Fax: (408) 866-4660
Email: mail@4psi.net | www.4psi.net

Fall 2014 Announcement

LOOKING FOR VOLUNTEERS!

TAWWA has an Education Division which has the objective to promote and encourage training, upgrading and certification of water plant operators, managers and other utility personnel; and to promote and encourage water education. The Division is dedicated to the promotion of water education through a proactive effort to support membership and consumer educational opportunities in Texas.

The TAWWA Education Division has 5 committees which are currently looking for active volunteers:

- Competitions
- Consumer Outreach
- K-12+ Education
- Member Education
- Partnership Development

Please visit the TAWWA website at <http://www.tawwa.org/?page=Advocacy> for more information and descriptions on the different committees. If you are interested in serving on any of these committees, please feel free to contact Melissa Bryant at mbryant@sara-tx.org or Amy Middleton at amiddleton@sara-tx.org.



PROVIDING SUSTAINABLE WATER SOLUTIONS

Merrick & Company is a full service engineering firm with 19 offices throughout the U.S. and abroad. Our Water Group is comprised of highly trained and experienced professionals, providing sustainable water, wastewater, stormwater, and water resource engineering infrastructure services to clients throughout the U.S. for over 50 years. We provide high-tech, practical, and economical solutions in:

- **Water:** Supply development, conveyance, treatment, storage, and distribution
- **Wastewater:** Collection, treatment, and reuse
- **Stormwater:** Drainage & floodplain management and water quality
- **Rivers:** Recreation whitewater, water trails, and blueways; diversions, channel stabilization, restoration, and fish passage facilities

K.W. Chan, PE
401 E. Sonterra Blvd., Suite 250
San Antonio, TX 78258
+1 210-446-4322
kw.chan@merrick.com



Employee Owned

klotz K associates

Houston Austin Lufkin San Antonio

www.klotz.com | email@klotz.com | 281.589.7257

LNV www.LNVinc.com

engineers | architects | contractors

Solutions Today with a *Vision for Tomorrow*

- Water Treatment, Storage and Distribution
- Wastewater Collection, Treatment and Reuse
- Streets, Roads and Highways
- Drainage
- Surveying
- Construction Management

Austin
Corpus Christi
Dallas/Fort Worth
Laredo
McAllen
San Antonio

WEAT San Antonio Section TAWWA South Texas Chapter

10th Annual Evening Social and
Scholarship Fundraiser Program

SPECIAL THANKS TO OUR SPONSORS

PLATINUM



ARCADIS



GOLD

AECOM

BLACK & VEATCH

CLEARY
ZIMMERMANN
ENGINEERS

CP&Y

FRESE
AND
NICHOLS



HR

Kimley»»Horn

LAN Lockwood, Andrews
& Newnam, Inc.
A LEO A DALY COMPANY

PAPE-DAWSON
ENGINEERS



PRONTO CONSTRUCTION, INC.
prontosandoblasing@sata.tx.com

LNV

engineers | architects | contractors

WESTON
SOLUTIONS

SILVER

BAKER-AICKLEN
& ASSOCIATES, INC.

MERRICK®
& COMPANY

CDS muery
ENGINEERS • SURVEYORS

klotz associates



PM
AN IPR COMPANY



Archer Western
Contractors

garzabury

NEWMAN REGENCY GROUP
WATER/WASTEWATER
EQUIPMENT
TEXAS AND OKLAHOMA

JCS Industries Inc.

GRUBB ENGINEERING, INC.
ELECTRICAL POWER SYSTEMS
DESIGN AND TESTING

TAWWA / WEAT SOUTH TEXAS SECTION JANUARY MONTHLY MEETING



When:
Thursday, January 15, 2015
11:30 A.M.

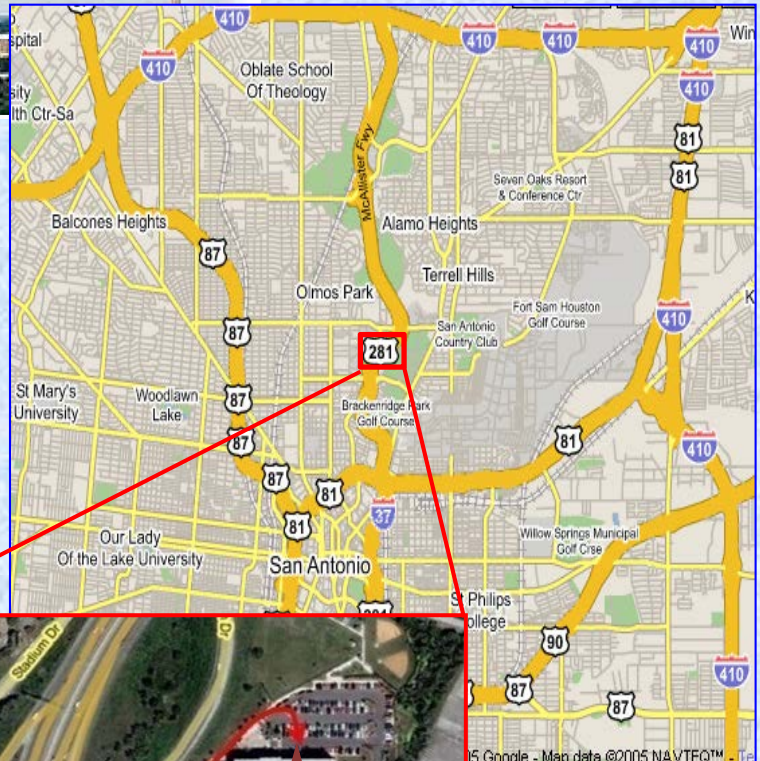
Where:
San Antonio Water System
Tower II
1st Floor, Room C145
2800 US Hwy. 281 North
San Antonio, Texas

Speaker:
Karen Bishop
SARA

Topic:
To be announced

RSVP Contact:
Rikki Anderson
Rikki.Anderson@freese.com

★ **Cost:**
\$5 for all municipal employees **NEW FOR 2015!** ★
\$12 for all non-municipal employees
\$15 for anyone (municipal or non-municipal)
who does not RSVP





Now serving Texas with two Regional Offices



Prestressed Concrete Tanks
www.dntanks.com

Low Maintenance | Continuous Reliability | Long-term Service
Call us for all of your water and wastewater storage needs.

Kyle Leininger
Southwest Regional Manager
Texas Operations Center
Grand Prairie, Texas
kyle.leininger@dntanks.com
817.851.4863

Ryan Wessels, P.E.
South Texas Regional Manager
South Texas Regional Office
Victoria, Texas
ryan.wessels@dntanks.com
361.799.9566

Local TAWWA / WEAT Contacts

TAWWA, South Texas Chapter Officers

Office	Name	Day Phone	E-mail
President	Robert Jenkins, P.E.	210-404-1330	jenkinsr2@bv.com
Past President	Steve Renneker, P.E.		Stever.awwa@gmail.com
Vice President	Vicente Garza, P.E.	210-233-3596	vgarza@saws.org
Secretary	Rikki Anderson, P.E.	210-298-3841	Rikki.Anderson@freese.com
Treasurer	Javier Cantu	210-404-1330	cantuF@BV.com
Trustee	Marisa Vergara, P.E.	210-494-8004	mvergara@cpyi.com
Deputy Trustee	Melissa Bryant, P.E.	210-302-3611	mbryant@sara-tx.org
Communications Chair	Alissa Lockett, P.E.	210-233-3401	alockett@saws.org
Finance Chair	Andrew Hunt, P.E.	210-321-4353	ahunt@rkci.com
Scholarships Chair	Andrea Beymer, P.E.	210-233-3490	abeymer@saws.org
Water For People Chair	Jonathan Vorheis, P.E.	210-321-6256	jonathan.vorheis@CH2M.com
YP Representative	Steven Bereyso		Steven.bereyso@saws.org
YP Representative	Christina Preddice, E.I.T	210-233-3441	christina.preddice@saws.org

WEAT, South Texas Section Officers

Office	Name	Day Phone	E-mail
President	Cale Underberg, P.E.	210-841-2917	cale.underberg@hdrinc.com
Past President	Sterling Lee	210-302-4220	sterling@sara-tx.org
Vice President	Heather Lindner, P.E.	210-841-2826	heather.lindner@hdrinc.com
Secretary	Kim Keefer, P.E.	210-375-9000	kkeefer@pape-dawson.com
Treasurer	James Scardami	210-268-3434	jscardami@cematx.org
Section Representative	Josh Marazzini, P.E.	210-494-8004	jmarazzini@cpyi.com
Scholarships Chair	Josh Marazzini, P.E.	210-494-8004	jmarazzini@cpyi.com
YP Representative	Lance Rothe, P.E.	210-841-2910	lance.rothe@hdrinc.com
YP Representative	Denyce Alcorta, E.I.T.	210-493-9200	dalcorta@sherfeysa.com

Logic Puzzle

		First Names				Secret Vices				Puzzles			
		Alejandra	Fatima	Julia	Marisol	blackjack	reality tv	shopping	soap operas	acrostics	crosswords	cryptograms	drop quotes
Ages	27												
	35												
	54												
	73												
Puzzles	acrostics												
	crosswords												
	cryptograms												
	drop quotes												
Secret Vices	blackjack												
	reality tv												
	shopping												
	soap operas												



CLUES

- The 54 year-old loves to solve acrostics.
- The 35 year-old is not Fatima.
- Either the person who secretly enjoys shopping or the person who secretly enjoys soap operas is Marisol.
- Marisol is older than the person who secretly enjoys reality tv.
- The person who secretly enjoys reality tv is not Julia.
- Of Marisol and the person who secretly enjoys soap operas, one is 35 years old and the other is 54 years old.
- The person who specializes in drop quotes is older than the person who secretly enjoys soap operas.
- The person who specializes in drop quotes is not Julia or Alejandra.
- The person who specializes in acrostics doesn't enjoy blackjack or shopping.
- The person who specializes in crosswords tries to hide their love of reality tv.

Ages	First Names	Secret Vices	Puzzles
27			
35			
54			
73			



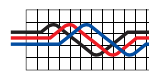
Municipal Water & Wastewater Infrastructure Design Services

#1 in Water

(10 consecutive years, as ranked by Engineering News-Record.)

700 N. St. Mary's Street, Suite 300
San Antonio, TX 78205
210.226.2922

www.tetrattech.com



GRUBB ENGINEERING, INC.

ELECTRICAL POWER SYSTEMS DESIGN & TESTING

WBE & SBE

TBPE F3904

R.D. (Bob) Grubb, P.E.

Principal Engineer

bob@grubbengineering.com

Phone (210) 658-7250 • Fax (210) 658-9805 • Cell (210) 275-7448
3128 Sidney Brooks, San Antonio, Texas 78235

www.grubbengineering.com



Lockwood, Andrews & Newnam, Inc.

A LEO A DALY COMPANY

Building Relationships

Delivering Solutions

Planning • Engineering • Program Management

Since 1935

www.lan-inc.com

10101 Reunion Place • San Antonio, TX • 210.499.5082



Richard Stetzer, P.E.

281-980-7448

David Luedecke, P.E.

512-288-8552

www.newmanregencygroup.com

Representing Manufacturers of Water/Wastewater Treatment Equipment

Upcoming Meetings and Events

Date	Event	Event Host	Location
January 15, 2014	TAWWA/WEAT January Meeting	TBD	San Antonio, TX
February 17 - 20, 2015	AWWA/WEF Utility Management Conference	AWWA/WEF	Austin, TX
February 19, 2015	TAWWA/WEAT February Meeting	TBD	San Antonio, TX
February 27, 2015	TAWWA/WEAT Project Management Seminar	TBD	San Antonio, TX

CALLING ALL YOUNG PROFESSIONALS!

In an attempt to better serve the Young Professional (YP) members, we are asking that all members under the age of 35, or less than 10 years in the industry, please e-mail Kim Keefer at: kkeefe@pape-dawson.com with their name, e-mail, and phone number.

If there are others in your offices who are not yet TAWWA/WEAT members, but might also be interested in participating in YP events and functions, please pass this request on to them.

Thanks!

Logic Puzzle Answers

27	Alejandra	Reality tv	Crosswords
35	Marisol	Shopping	Cryptograms
54	Julia	Soap operas	Acrostics
73	Fatima	Blackjack	Drop quotes



ARE YOU RECEIVING THIS E-NEWSLETTER IN ERROR?

Please e-mail Rikki Anderson at rikki.anderson@freese.com to be removed from the list.