

Invisible Repairs Class Homework
 © 2017 Susan Lowman

*Use 3 colors of smooth worsted weight yarn and size H, I or J crochet hook for all swatches.

Checkerboard Invisible Seam Swatches

Make 2 swatches (A & B) (1 each with first and 2nd colors) as follows:

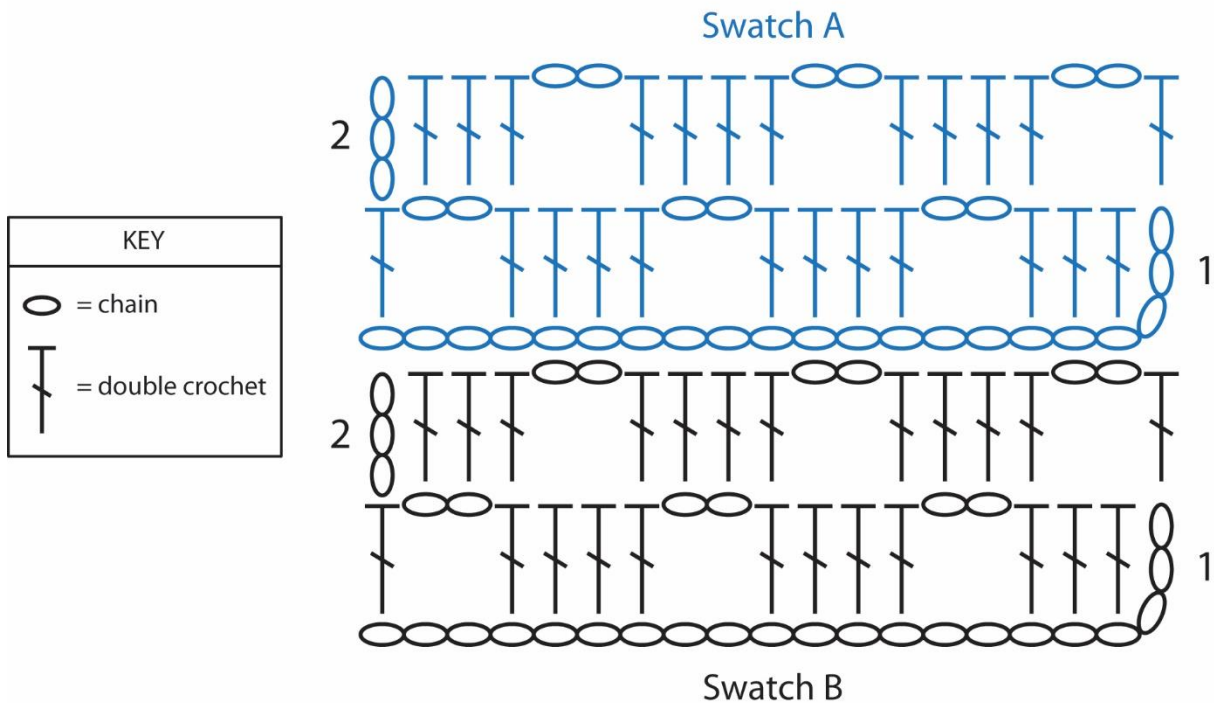
Row 1 (right side): Ch 21, dc in 4th ch from hook (3 skipped chs count as first dc), dc in next 2 chs, [ch 2, skip next 2 chs, dc in next 4 chs] 2 times, ch 2, skip next 2 chs, dc in last ch: 13 dc and 3 ch-2 sps.

Row 2: Ch 3 (counts as dc), turn; *2 dc in next ch-2 sp, dc in next dc, ch 2, skip next 2 dc**, dc in next dc; rep from * across, ending last rep at **; dc in first skipped ch on Row 1.

Finish off both swatches, leaving a 12” tail on Swatch B. Do NOT weave in ends.

Checkerboard Invisible Seam Chart

(c) 2017 Susan Lowman



Ripple Invisible Seam Swatches

Make 2 swatches (A & B) (1 each with first and 2nd colors) as follows:

CL (cluster): YO, insert hook in first specified st and draw up a lp, YO and draw through 2 lps on hook (first leg worked); YO, insert hook in 2nd specified st and draw up a lp, YO and draw through 2 lps on hook (2nd leg worked), YO and draw through all 3 lps on hook.

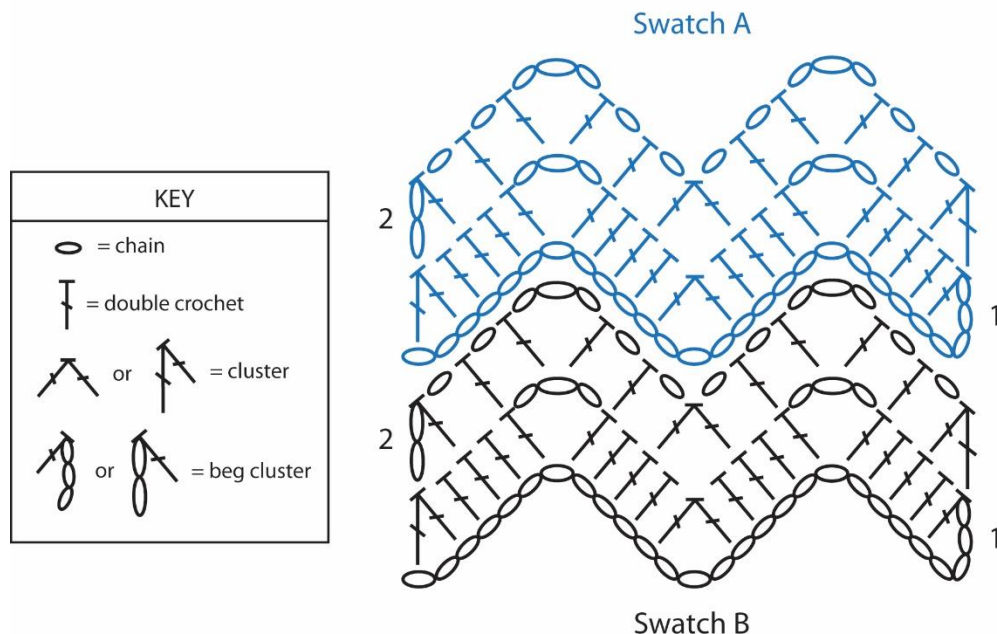
Row 1 (right side): Ch 27, dc in 5th ch from hook (counts as beginning CL); *dc in next 3 chs, (dc, ch 3, dc) in next ch, dc in next 3 chs**, CL (working first leg in next ch and 2nd leg in 5th ch: skipping 3 chs between legs); rep from * to ** once: CL (working first leg in next ch and 2nd leg in last ch: skipping 1 ch between legs): 3 CL, 16 dc and 2 ch-3 sps.

Row 2: Ch 2, turn; skip first CL, skip next dc, dc in next dc (counts as beg CL); *ch 1, skip next dc, dc in next dc, ch 1, (dc, ch 3, dc) in next ch-3 sp, ch 1, dc in next dc, ch 1, skip next dc**, CL (working first leg in next st and 2nd leg in 5th st: skipping 1 dc, 1 CL and 1 dc between legs); rep from * to ** once; CL (working first leg in next dc and 2nd leg in beg CL: skipping 1 dc between legs): 3 CL, 8 dc, 2 ch-3 sps and 8 ch-1 sps.

Finish off both swatches, leaving a 12” tail on Swatch B. Do NOT weave in ends.

Ripple Invisible Seam Chart

(C) 2017 Susan Lowman



Invisible Repairs Swatch (in rows)

Make 1 swatch with 3rd color as follows:

BPedc (Back Post extended double crochet): YO, insert hook from back to front to back around post of specified st and draw up a lp, YO and draw through one lp on hook, [YO and draw through 2 lps on hook] twice.

FPedc (Front Post extended double crochet): YO, insert hook from front to back to front around post of specified st and draw up a lp, YO and draw through one lp on hook, [YO and draw through 2 lps on hook] twice.

Row 1 (wrong side): Ch 18, sc in 2nd ch from hook and in each rem ch across: 17 sc.

Row 2 (right side): Ch 3 (counts as first dc here and throughout), turn; *dc in next st, [ch 1, skip next st, dc in next st] 2 times; rep from * 2 more times; dc in last st: 11 dc and 6 ch-1 sps.

Row 3: Ch 3, turn; [BPedc around next st, dc in next ch-1 sp, dc in next dc, dc in next ch-1 sp, BPedc around next st] 3 times, dc in 3rd ch of beg ch-3: 6 BPedc and 11 dc.

Row 4: Ch 3, turn; [FPedc around next BPedc, ch 1, skip next st, dc in next st, ch 1, skip next st, FPedc around next BPedc] 3 times, dc in 3rd ch of beg ch-3: 6 FPedc, 5 dc and 6 ch-1 sps.

Row 5: Ch 3, turn; [BPedc around next FPedc, dc in next ch-1 sp, dc in next dc, dc in next ch-1 sp, BPedc around next FPedc] 3 times, dc in 3rd ch of beg ch-3: 6 BPedc and 11 dc.

Rows 6-8: Rep Rows 4 and 5 once, then rep Row 4 once more.

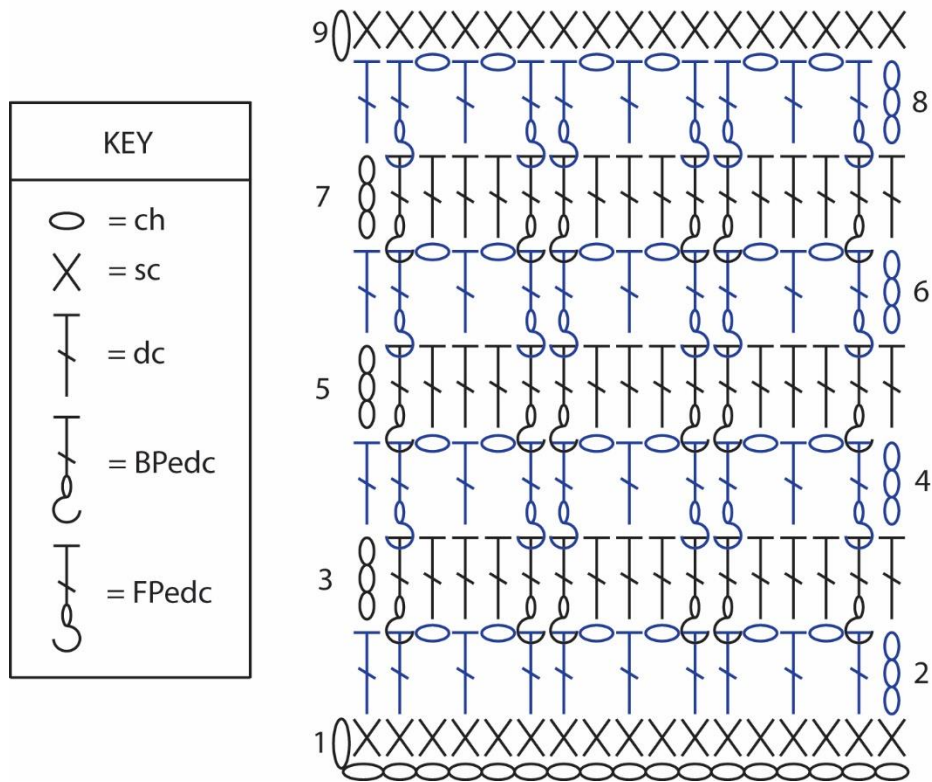
Row 9: Ch 1, turn; sc in each st and ch-1 sp across: 17 sc.

Edging

Ch 1, turn; working along top edge, 3 sc in first sc, sc in next 15 sc, 3 sc in last sc, work 15 sc evenly spaced along left-hand edge (or right-hand edge if left-handed); working in free lps of chs along bottom edge, 3 sc in first ch, sc in next 15 chs, 3 sc in next ch; work 15 sc evenly spaced along right-hand edge (or left-hand edge if left-handed); join with sl st in first sc: 72 sc. Finish off; weave in ends.

Invisible Repairs Swatch in Rows Chart

(c) 2017 Susan Lowman



Invisible Repairs Swatch (Granny Square in rounds)

Make 1 swatch (with all 3 colors) as follows:

Rnd 1 (right side): With first color, ch 5; join with sl st in first ch to form a ring; ch 3 (counts as dc), (2 dc, [ch 3, 3 dc] 3 times) in ring; join with ch 1, hdc in 3rd ch of beg ch-3 (ch 1 and hdc count as last ch-3 sp): 4 groups of 3 dc and 4 corner ch-3 sps.

Rnd 2: Ch 3 (counts as dc), 2 dc around post of hdc, [ch 1, (3 dc, ch 3, 3 dc) in next corner ch-3 sp] 3 times, ch 1, 3 dc in beg corner ch-sp, ch 3; join with sl st in 3rd ch of beg ch-3: 8 groups of 3 dc, 4 corner ch-3 sps and 4 ch-1 sps. Finish off first color.

Rnd 3: With right side facing, join 2nd color with sl st in any corner ch-3 sp, ch 3 (counts as dc), 2 dc in same ch-3 sp, [ch 1, 3 dc in next ch-1 sp, ch 1, (3 dc, ch 3, 3 dc) in next corner ch-3 sp] 3 times, ch 1, 3 dc in next ch-1 sp, ch 1, 3 dc in beg corner ch-3 sp, ch 3; join with sl st in 3rd ch of beg ch-3: 12 groups of 3 dc, 4 corner ch-3 sps and 8 ch-1 sps. Finish off 2nd color.

Rnd 4: With right side facing, join 3rd color with sl st in any corner ch-3 sp, ch 3 (counts as dc), 2 dc in same ch-3 sp; *[ch 1, 3 dc in next ch-1 sp] 2 times, ch 1**, (3 dc, ch 3, 3 dc) in next corner ch-3 sp; rep from * around, ending last rep at **; 3 dc in beg corner ch-3 sp; join with ch 1, hdc in 3rd ch of beg ch-3 (ch 1 and hdc count as last ch-3 sp): 16 groups of 3 dc, 4 corner ch-3 sps and 12 ch-1 sps.

Rnd 5: Ch 3 (counts as dc), 2 dc around post of hdc; *[ch 1, 3 dc in next ch-1 sp] 3 times, ch 1**; (3 dc, ch 3, 3 dc) in next corner ch-3 sp; rep from * around, ending last rep at **; 3 dc in beg corner ch-3 sp, ch 3; join with sl st in 3rd ch of beg ch-3: 20 groups of 3 dc, 4 corner ch-3 sps and 16 ch-1 sps. Finish off. Do NOT weave in ends.

Invisible Repairs Granny Square Chart

(c) 2017 Susan Lowman

