



Standard

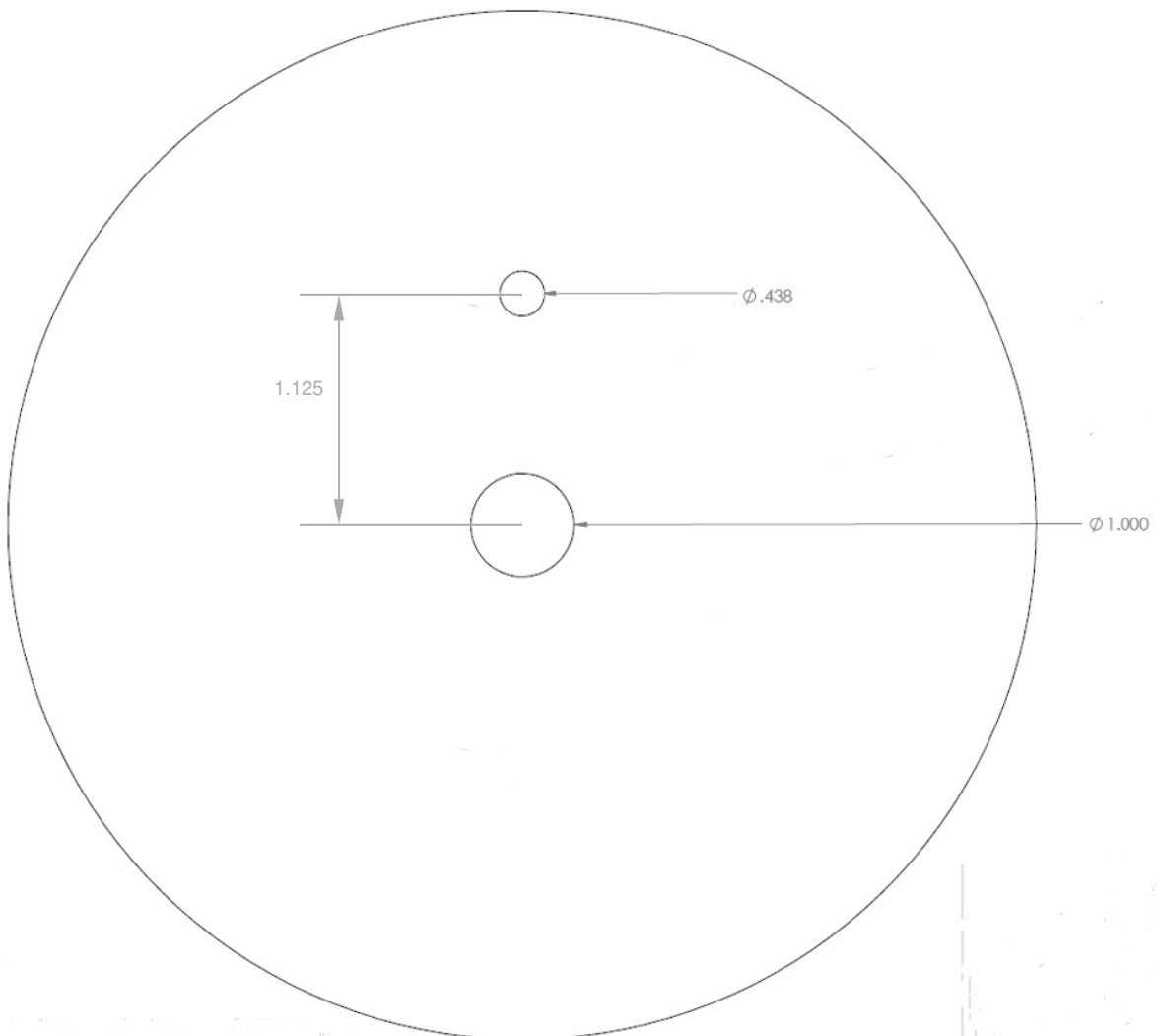
Title: Flat Saw Arbor Configurations
Specification No.: CSDA-SA-116
Effective Date: Apr 14, 2016
Revised:

1. General

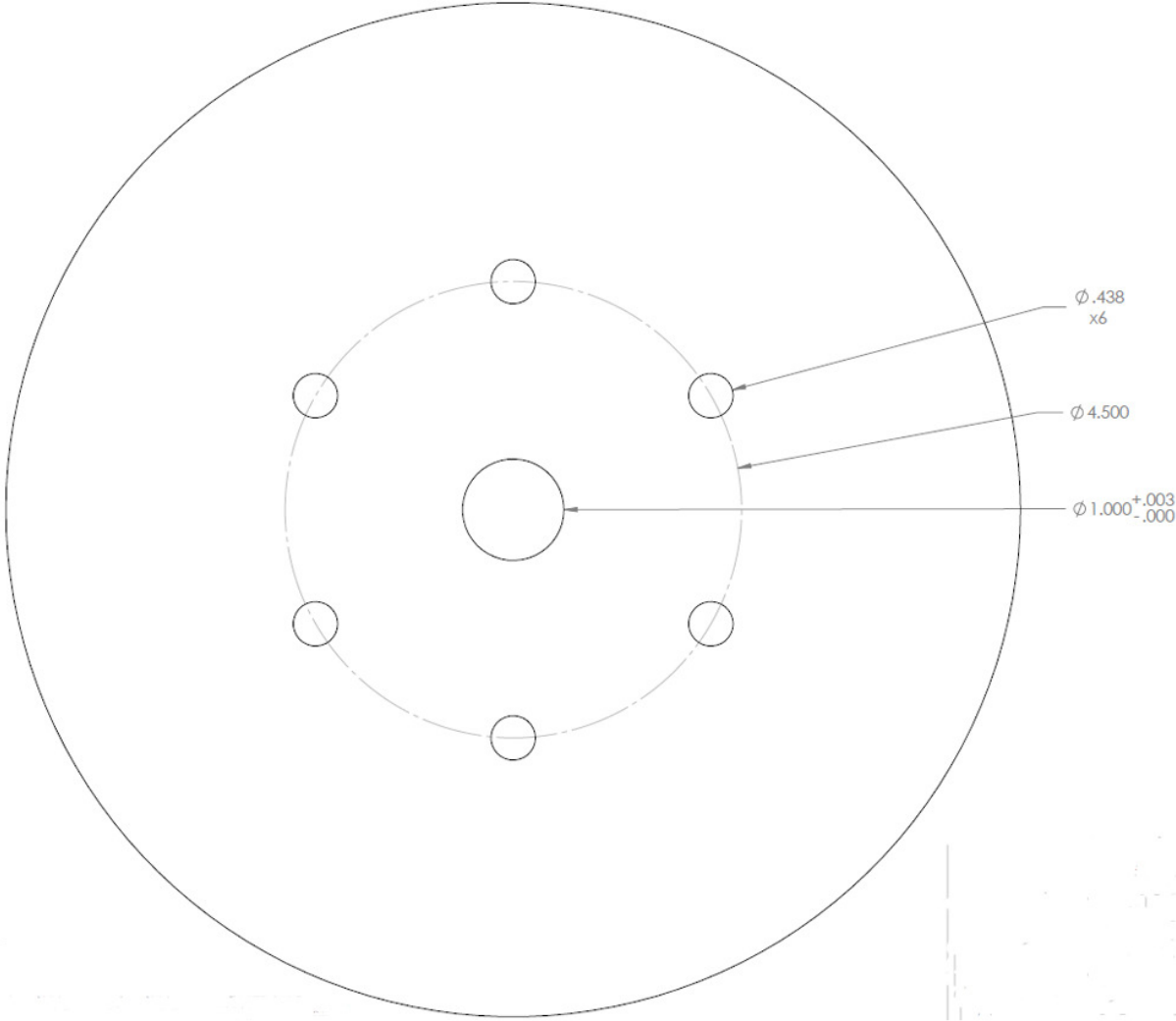
- 1.1 This document standardizes hole mounting patterns of common arbor configurations within the concrete sawing and drilling industry, with particular focus on standard patterns.
- 1.2 All dimensions are inches.
- 1.3 Tolerances:
 - XX ± 0.30
 - XXX ± 0.010
 - XXXX ± 0.001

2. Standard Patterns

2.1 Basic Arbor Configuration

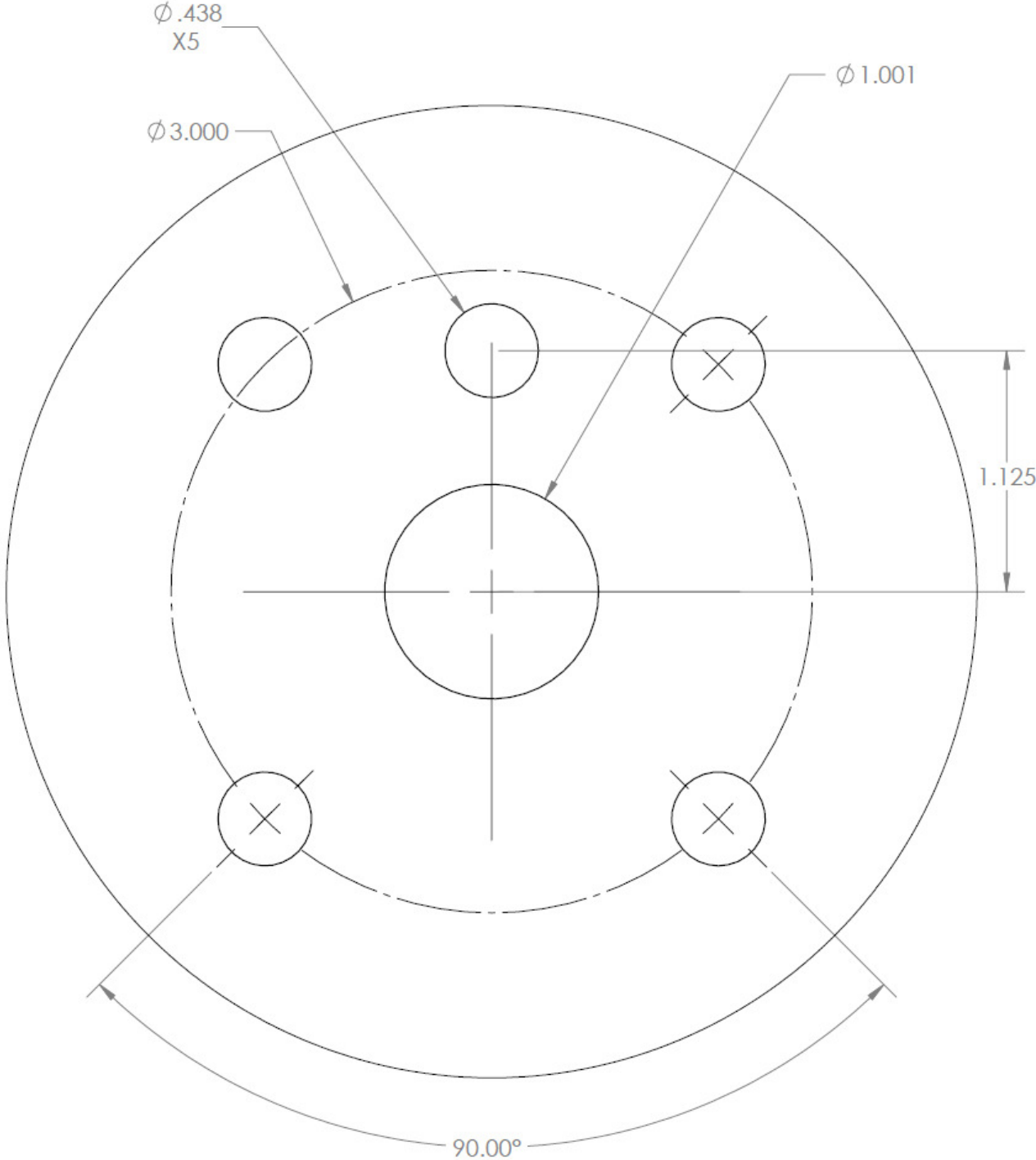


2.2 "George" Arbor Configuration



Spec. No.	Title	Effective Date	Revised	Page
CSDA-SA-116	Flat Saw Arbor Configurations	Apr 14, 2016		Page 2 of 4

2.3 "Louie" Arbor Configuration



Spec. No.	Title	Effective Date	Revised	Page
CSDA-SA-116	Flat Saw Arbor Configurations	Apr 14, 2016		Page 3 of 4

This document has been developed or is provided by the Concrete Sawing & Drilling Association, Inc. It is intended as a guideline, sample specification or recommended practice for use by fully qualified, trained, professional personnel who are otherwise competent to evaluate the significance of its use within the context of specific concrete sawing and drilling projects. No express or implied warranty is made with respect to the foregoing including without limitation any implied warranty of fitness or applicability for a particular purpose. The Concrete Sawing & Drilling Association, Inc. and all contributors of this document shall not be liable for damages of any kind arising out of the use of this document, and, further specifically disclaims any and all responsibility and liability for the accuracy and application of the information contained in this document to the fullest extent permitted by law. In accepting this document, user agrees to accept sole responsibility for its application.

Spec. No.	Title	Effective Date	Revised	Page
CSDA-SA-116	Flat Saw Arbor Configurations	Apr 14, 2016		Page 4 of 4