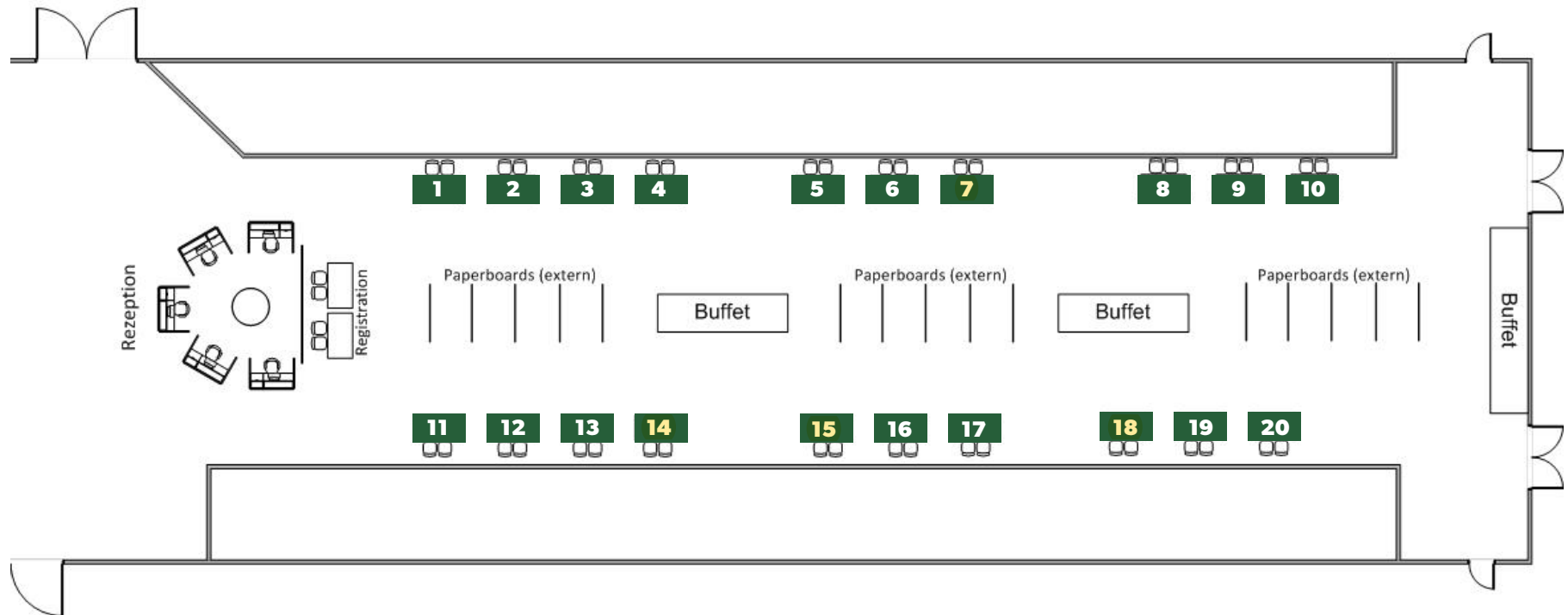


# FLOORPLAN



2<sup>ND</sup> Biospecimen Research Symposium

FOCUS ON QUALITY AND STANDARDS